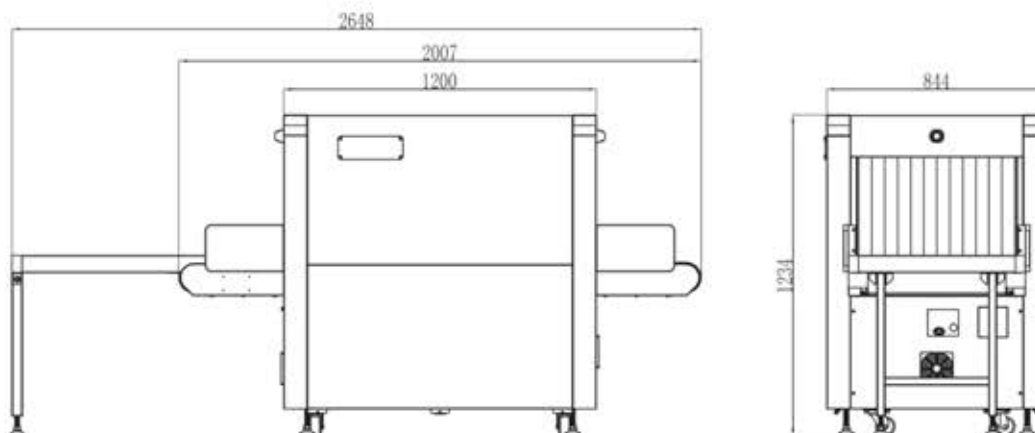


Product highlights

- * Multilingual operation
- * Automatic built in test and self diagnosis
- * Secure access Key
- * Uninterruptable power supply (ups)
- * Threat alert and material classifica
- * Auto archiving
- * Network-Ready
- * Energy saving design
- * One key turn off
- * Drugs and explosives inspection
- * Indication of the date and time
- * Baggage Counter



Dimensional Drawing



Important Sizes :

Product Size: 2648* 844 * 1234mm (L × W × H)

Tunnel Size: 615* 418mm (W× H)

Product Details

General Specifications

Unit weight	455 kgs
Unit size	2648(L)*844(W)*1234(H) mm
Tunnel size(mm)	615(L)*418(W)
Conveyor Speed(m/s)	0.22
Conveyor height(mm)	680
Conveyor Max Load(kgs)	150
Penetration	Typical 38mm steel, guarantee 34mm steel
Wire Resolution	Typical AWG40, guarantee AWG38
X-Ray dosage each inspection	Typical 2.5 μ Gy/h, guarantee 3.5 μ Gy/h
Boundary Leakage	Typical 1.0 μ Gy/h, guarantee 1.5 μ Gy/h
Power consumption	Max.0.8KVA
S/N ratio	<60dB
Film Safety	Guarantee ASA/ISO1600 Film

Configuration

X-Ray generator	160KV, oil cooling, from bottom to top
Computer	CPU: G1610 2.6G hard drive 500G,
Monitor	High Resolution Color, LCD Accord, 17inch
Operation table	Single screen console
Keyboard	Made by Safeway System
Operation System	Windows XP

Software

Image Enhancement	1-64times enlargement continuity, Color/BW, negative,high/lowpenetration, organic /inorganic Stripping, general enhancement, and pseudo color,etc.
Image Recall	All preceding images recallable,retrieval.
Image Archive	Up to 100,000 images stored automatically, enable transferring to USB disk, and converting to JPG, BMP, XF, PNG, TIFF, GIF six formats.
Other Functions	Time/date display, counters, user management, system-on/X-ray-on timers, power on self test, built-in diagnostic facilities, dual-direction scanning, system log, system standby and stimulant training, ADS etc.
Network Applications	Multiple remote applications available based on Ethernet LAN and windows platform, such as image centralized storage and identify, recheck workstation, and network TIP, etc (Optional).

Operating Environment

Operation temperature/Humidity	0C-45C / 5%-95%(non-condensing)
Storage temperature/Humidity	-40C-70C / 5%-95%(non-condensing)
Operation Power	220VAC(\pm 10%) 50 \pm 3Hz (Optional: 100VAC,110VAC,120VAC,200VAC)