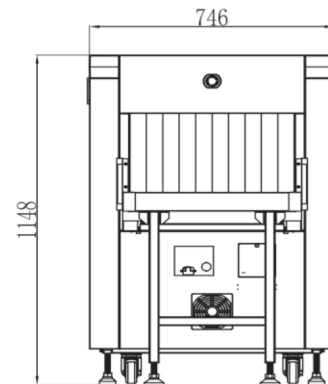
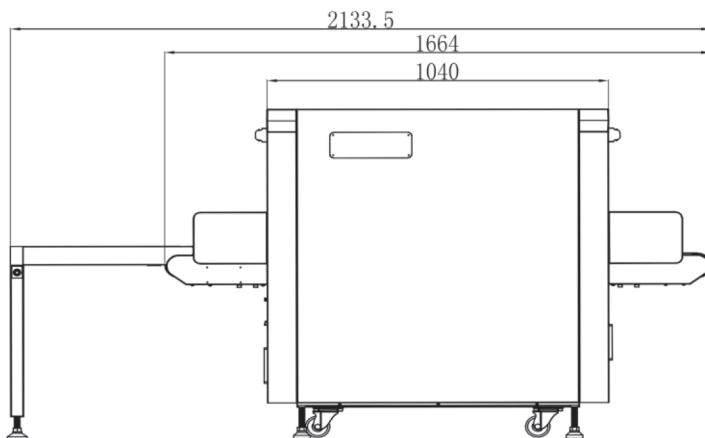


Product highlights

- * Multilingual operation
- * Automatic built in test and self diagnosis
- * Secure access Key
- * Continuous working 10000 hours above
- * Threat alert and material classifica
- * International standard configuration:
Japan Hamatsu detection and UK Senstech board
- * Network-Ready
- * Energy saving design
- * One key turn ofi
- * Drugs and explosives inspection
- * Indication of the date and time



Dimensional Drawing



Important Sizes :

Product Size: 2133.5* 746 * 1148mm (L x W x H)

Tunnel Size: 500* 305mm (width x height)

Product Details ▾

General Specifications

Unit weight	318 kgs
Unit size	2133.5(L)*746(W)*1148(H) mm
Tunnel size(mm)	500(L)*305(W)
Conveyor Speed(m/s)	0.2
Conveyor height(mm)	670
Conveyor Max Load(kgs)	60
Penetration	Typical 38mm steel, guarantee 34mm steel
Wire Resolution	Typical AWG40, guarantee AWG38
X-Ray dosage each inspection	Typical 3.0 µGy/h, guarantee 3.5 µGy/h
Boundary Leakage	Typical 1.0 µGy/h, guarantee 1.5 µGy/h
Power consumption	Max.0.5KVA
S/N ratio	<60dB
Film Safety	Guarantee ASA/ISO1600 Film

Configuration

X-Ray generator	160KV, oil cooling, from bottom to top
Imaging System	Japan Hamamatsu detector + UK Sens-tech PCBA
Computer	CPU: Intel Celeron 2.60-2.70GHz, hard drive 500G, Storage 2G
Monitor	Dell or Acer, 17" LED screen, resolution 1280*1024 pixels
Operation table	Single screen console
Keyboard	AT2005, designed by Safeway System
Operation System	Windows XP

Software

Image Enhancement	1-64times enlargement continuity, Color/BW, negative,high/lowpenetration, organic /inorganic Stripping, general enhancement, and pseudo color,etc.
Image Recall	30 preceding images recallable,retrieval.
Image Archive	Up to 50,000 images stored automatically, enable transferring to USB disk, and converting to JPG, BMP, XF, PNG, TIFF, GIF six formats.
Other Functions	Time/date display, counters, user management, system-on/X-ray-on timers, power on self test, built-in diagnostic facilities, dual-direction scanning, system log, system standby and stimulant training, ADS etc.
Network Applications	Multiple remote applications available based on Ethernet LAN and windows platform, such as image centralized storage and identify, recheck workstation, and network TIP, etc (Optional).

Operating Environment

Operation temperature/Humidity	5C-40C / 0%-90%(non-condensing)
Storage temperature/Humidity	-20C-60C / 10%-90%(non-condensing)
Operation Power	220VAC(±10%) 50±3Hz (Optional: 100VAC,110VAC,120VAC,200VAC)